

CLEAN AIR SOLUTIONS



ANTECH | AIRTECH



Antech Group Inc.
Tel: +86 532 87890321
Email: info@antechscientific.com
Web: www.antechscientific.com

 **AIRTECH**



COMPANY PROFILE

Airtech Japan, Ltd. is a public stock listed company (Tokyo Stock Exchange No. 6291), engaging in the design, manufacture, and sale of clean air systems.

The company was founded on March 8, 1973 and is headquartered in Tokyo, Japan. Now Airtech has 15 domestic (in Japan) and 5 foreign firms (China, Singapore, Taiwan, Korea, India).

Its products include biological safety cabinets, laminar flow cabinets (clean benches), fan filter units, clean booths, clear partitions, pulse jet air showers, pressure dampers, and hand dryers.

For more than 40 years, Airtech has contributed to the development of electronics industry, bio industry, food industry, and pharmacy by inventive solutions for air containment, contamination control and controlled environments. We realize high-degree cleanliness space with our unique technologies. We provide a customer with adequate after-sales service.



Airtech Japan Factory in Kazo, Japan



AIRTECH R&D Center



DIRECTORY

1	Company Profile	01
2	Biological Safety Cabinet, 04 Series Class IIA2/B2	05
3	Biological Safety Cabinet, 03 Series Class IIA2	21
4	Biological Safety Cabinet, 01/02 Series Class IIA2	27
5	Laminar Flow Cabinet	
	Desktop Type, VD/HD Series	31
	Standard Type, SW-CJ Series	33
	Neoteric Type, VS/HS Series	35
	Detached Type, VT/HT Series	37



AIRTECH Biosafety Cabinet

AIRTECH has developed a wide variety of biological safety cabinets designed to meet diverse applications in the life science, clinical, pharmaceutical and industrial laboratory.

In varying degrees, a laminar flow biological safety cabinet is designed to provide three basic types of protection:

- Personnel protection from harmful agents inside the cabinet.
- Product protection to avoid contamination of the work, experiment, or process.
- Environmental protection from contaminants contained within the cabinet.

AIRTECH produce class II type A2/B2 & class III biological safety cabinets. The products meet most of main standards, including NSF49 (USA), EN12469 (Europe), JIS K3800 (Japan) and SFDA (China).



World-class DC motor with automatic air volume compensation system:

- Lower noise level;
- Lower power consumption;
- Better velocity stability & airflow protection
- Two independent sets of velocity sensors made in Japan & Austria

LED lamp providing sufficient and uniform lighting;

- UV lamp running time can be set
- Interlocked LED lamp and UV lamp

Waterproof Socket X 2 pcs

Two access ports (for valves) at both sides, suit different installation conditions.

Removable spill retaining table top with front grille, curved corners made in SUS304, easy to reach & cleaning

Casters for easy moving



ULPA Filter (per IEST-RP-CC001.3), with 99.999% efficiency for partial size between 0.1 to 0.3 microns

Angled color controller for easy reach and viewing

Display of working conditions including:

- Velocity: downflow & inflow
- Filter life: in percentage, with filter life alarm
- Alarm with buzzing and code display
- Blower/UV/Lamp/Socket working status
- ECO working mode when sash is shut down:
 - Lower fan rotate speed
 - Lower energy consumption
 - Lower noise level
 - Faster resume normal working conditions

Curved corners for easy cleaning

Angled arm rest for comfortable working posture and prevents grill blocking

Adjustable supporter to make sure cabinet is set firmly and horizontally

International Standards

	Biosafety Cabinets	Air Quality	Filtration	Electrical Safety
Standards Compliance	Designed to meet: EN 12469 (Europe) NSF/ ANSI 49 (USA) JIS K 3800 (Japan) SFDA YY0569 (China)	ISO 14644.1, Class 4, Worldwide JIS B9920, Class 4, Japan JIS BS5295, Class 4, Japan US Fed Std 209E, Class 10 USA	ISO29463, Worldwide EN-1822, Europe EN13091, Europe IEST-RP-CC034.1, USA	EN-61010-1, Europe IEC61010-1, Worldwide

DC ECM motor

- Automatic air volume compensation system
- Stable airflow, even during voltage fluctuations and filter loading
- Reduced energy consumption

Single piece Wall & Work Tray:

- Large radius for easy clean
- Made in SUS304, rust free



Power Sockets

- Waterproof
- Overload protection
- Each one at right and left part of cabinet

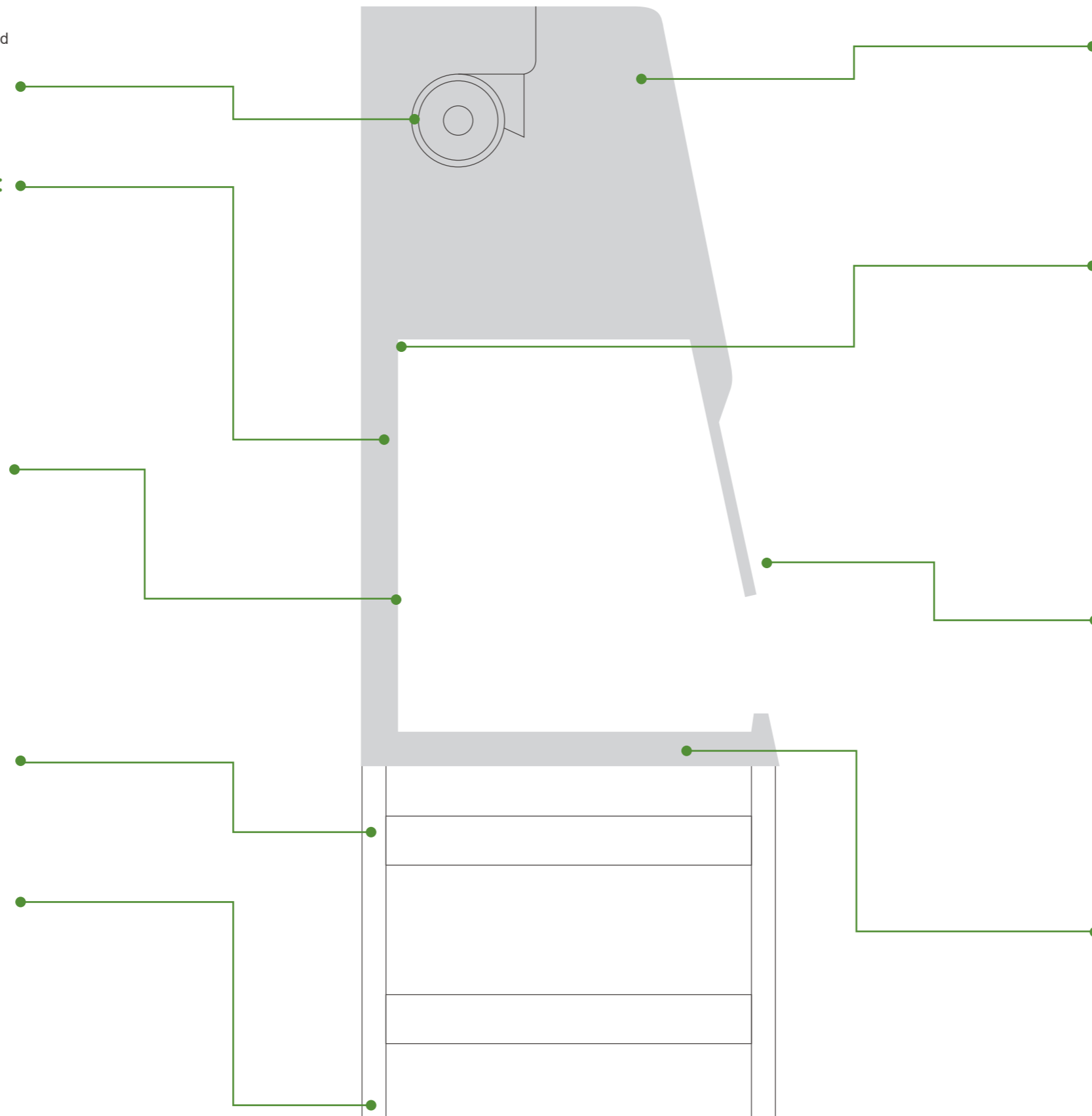


Frame Stand

convenient installation

Caster & Feet

- Adjustable feet to fit uneven floor
- Optional wheels for easy movement



Sloped Front

Cabinet front is sloped 10° for enhanced comfort and reduced operator fatigue.

UV Lamp

for sterilization



Full Access for Glass Cleaning



Working tray can be supported for easy cleaning

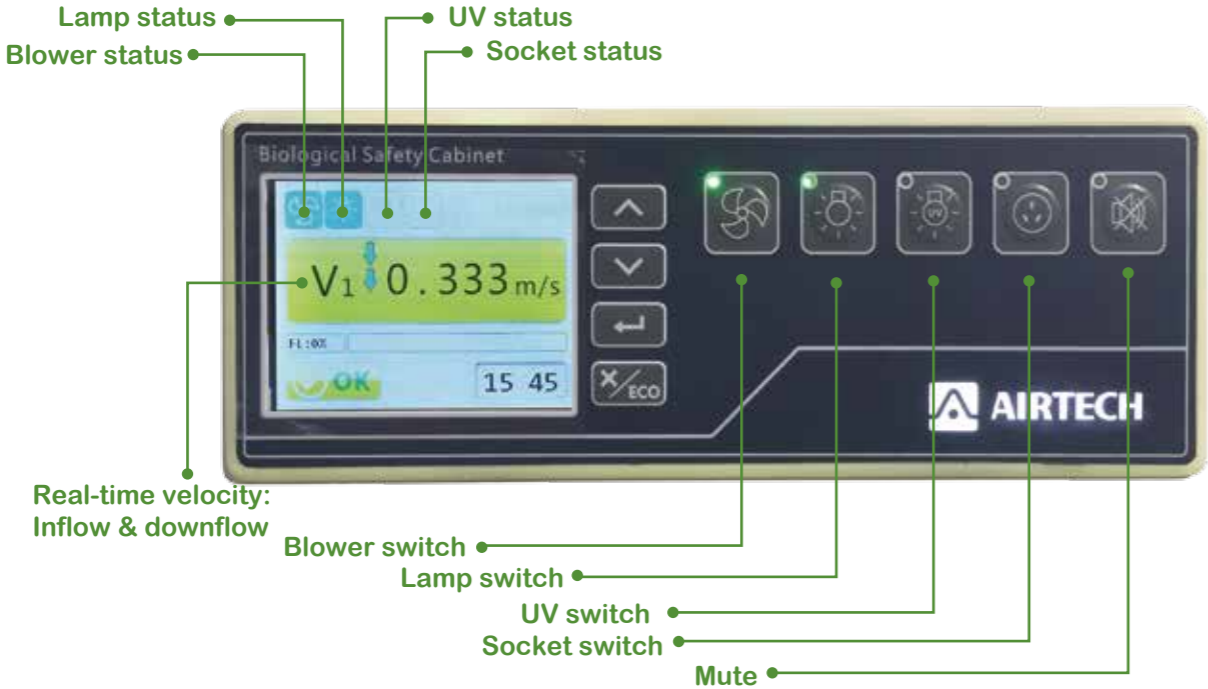


AIRTECH Intelligence Controlling system

Unique ECO Mode:



When sash is shut down, cabinet enter ECO mode. Blower rotate speed decreased, but still maintain basic airflow in cabinet.
 When sash is opened again, blower rotate speed resumes to normal level and cabinet returns normal working condition within 10 seconds.



Various Alarms:

- Inflow velocity alarm
- Downflow airflow alarm
- Sash position alarm
- Filter high-resistance alarm
- Fan failure alarm

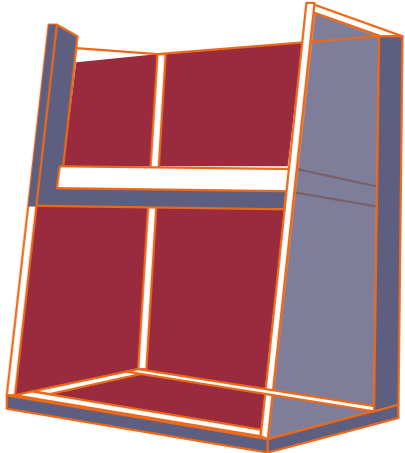


Non-compromising Safety

“Zero Leakage” Negative Pressure Protection

AIRTECH unique “Zero Leakage” patent technology, providing a dynamic negative pressure environment.
 Imported automatic airflow compensation system to guarantee stable negative pressure

- Negative pressure
- Positive pressure



ULPA/HEPA Filter

- HV brand filter, US imported
- ULPA filter, efficiency ≥99.9995% @ 0.12µm micron
- HEPA filter, efficiency ≥99.995% @ 0.3µm micron
- Removable uniform-flow film to protect filter from liquor



Velocity Meter:

- SHIBAURA brand (Japan imported) velocity meter for down flow
- E+E brand (Austria imported) velocity meter for exhaust airflow



External air can't enter working area from front sash, protecting sample

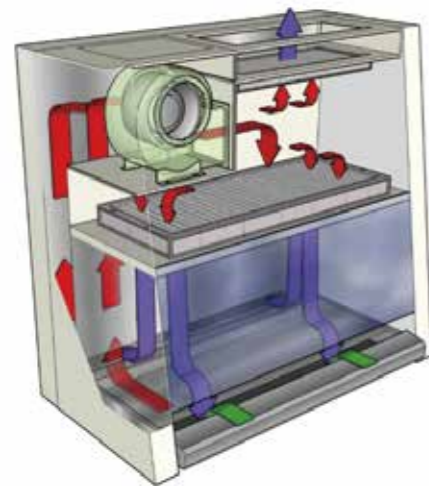


Inner air not escape outside of outside, protecting operator



Airflow Pattern

Class II, Type A2



- H14-filtered air
- Unfiltered / potentially contaminated air
- Room air / Inflow air

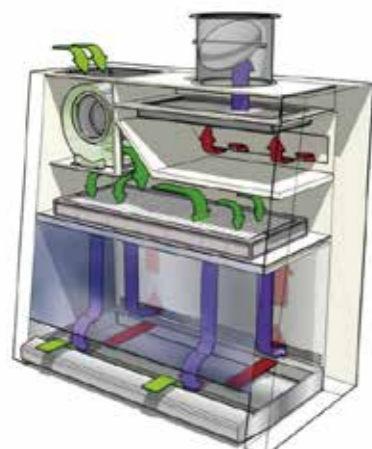
Ambient air is pulled through front grille to create inflow, without going into the work surface. Inflow is joined by half of the downflow, to create front air curtain that is fine-tuned to create a large performance envelope. The combined air stream travels through the back air column towards the blower.

Approximately 30% of the air in the common plenum is exhausted through the HEPA filter to the room. The remaining 70% of the air is passed through the downflow HEPA filter and into the work area as a vertical laminar flow air to create ISO Class 4 work surface and prevents cross contamination.

Near the work surface, the downflow splits. About half goes to the front grille, and half goes to the rear grille. A small portion enters the side capture zones to prevent dead air corners (small blue arrows).

The design was optimized to give large performance envelope, that provides operator and product protection at wide Inflow and downflow variation from the Nominal point.

Class II, Type B2



- H14-filtered air
- Unfiltered / potentially contaminated air
- Room air / Inflow air

Ambient air is pulled through the front grille to prevent contamination of the work surface and work product. The inflow does not mix with the clean air within the cabinet work zone.

Ambient air is taken in through a pre-filter at the top of the cabinet, and passes through the downflow ULPA filter, entering the work zone as laminar flow. The uniform, non-turbulent air stream protects against cross contamination within and throughout the work area.

Near the work surface, the downflow air stream splits with a portion moving toward the front air grille, and the remainder moving to the rear air grille.

A small portion of the ULPA filtered downflow enters the intake perforations at the side capture zones at a higher velocity (small blue arrows).

Services Access & Validation



Taking advantage of front open design with cover supporter, all cabinet main components are easily accessible from the front to allow for rapid service and minimal work disruption:

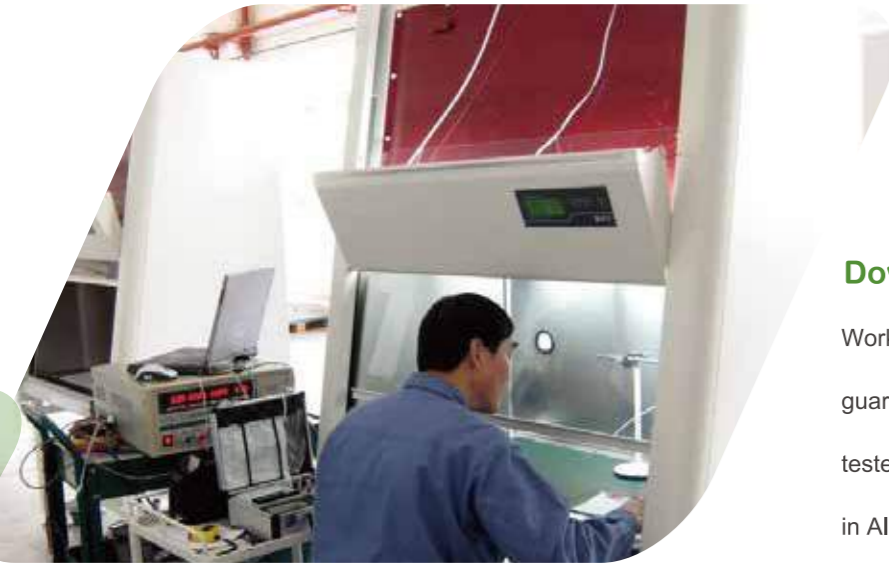
- Change of HEPA filters, LED lamps, UV lamps
- Adjustment or change of circuit boards and sensors
- Adjustment of alarms, fan speed control panel

Validation

Airtech offers professional services for all our equipment, including:

- factory acceptance testing,
- factory service training,
- customized product design,
- installation qualification
- operational qualification
- calibration

Comprehensive Performance Testing At AIRTECH



Downflow velocity testing

Working chamber velocity is key parameter to guarantee performance & safety. Velocity is tested strictly for each unit during QC procedure in AIRTECH factory. Downflow velocity of each point is recorded in factory testing report.



Inflow velocity testing

Airtech adapt direct inflow measurement method to test inflow velocity. Air volume meter is put to the center of front opening of cabinet, seal open area on either side of capture hood portion of direct inflow measurement. Inflow velocity is calculated based on 5 readings of meter.

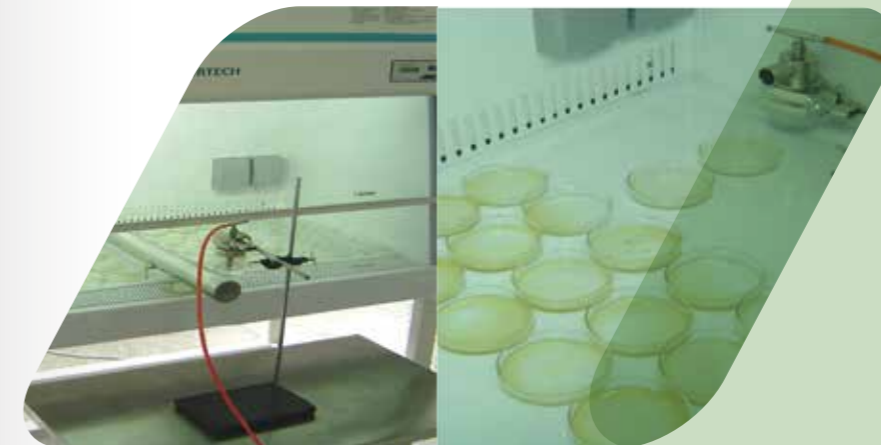


Filter Leakage Detection

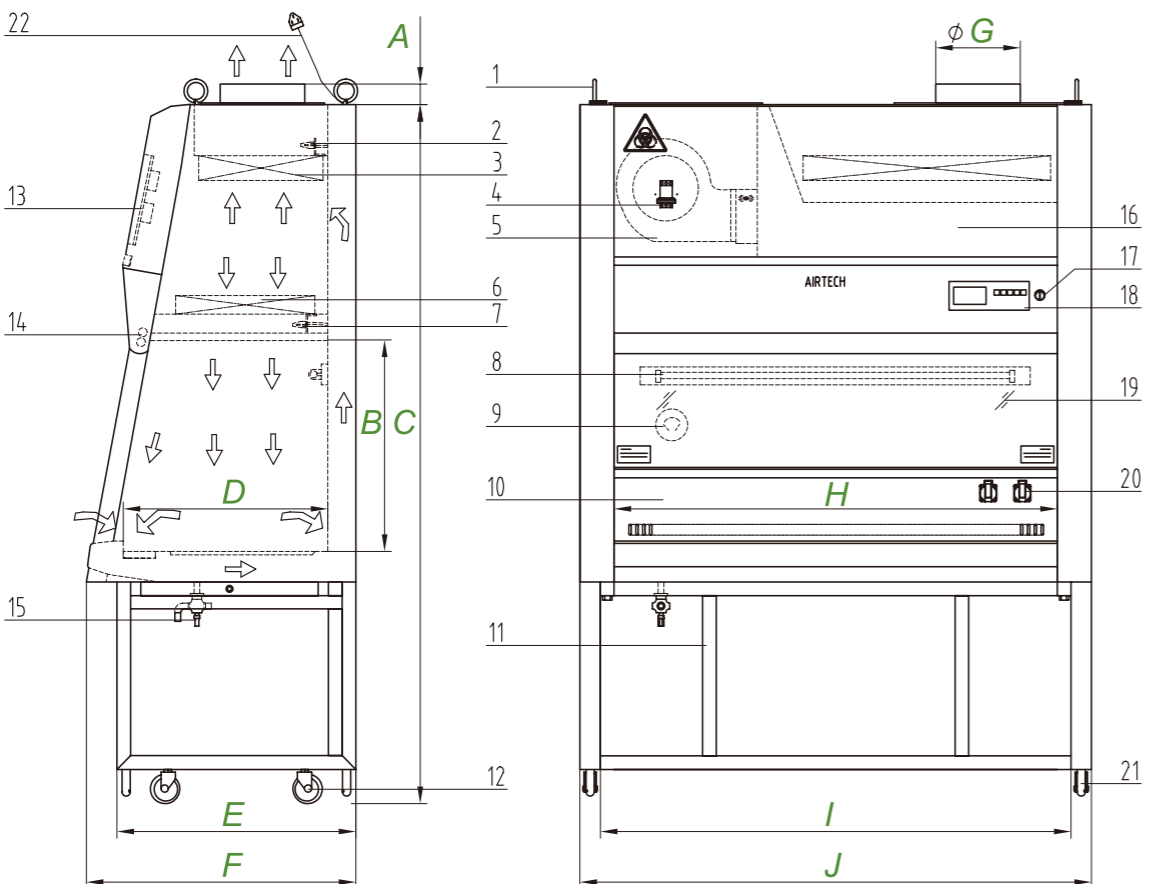
Using ATI brand (US imported) aerosol generator, able to scan passing rate of any point. Each AIRTECH cabinet is tested through the testing.



Biomedical verification (bacillus subtilis)



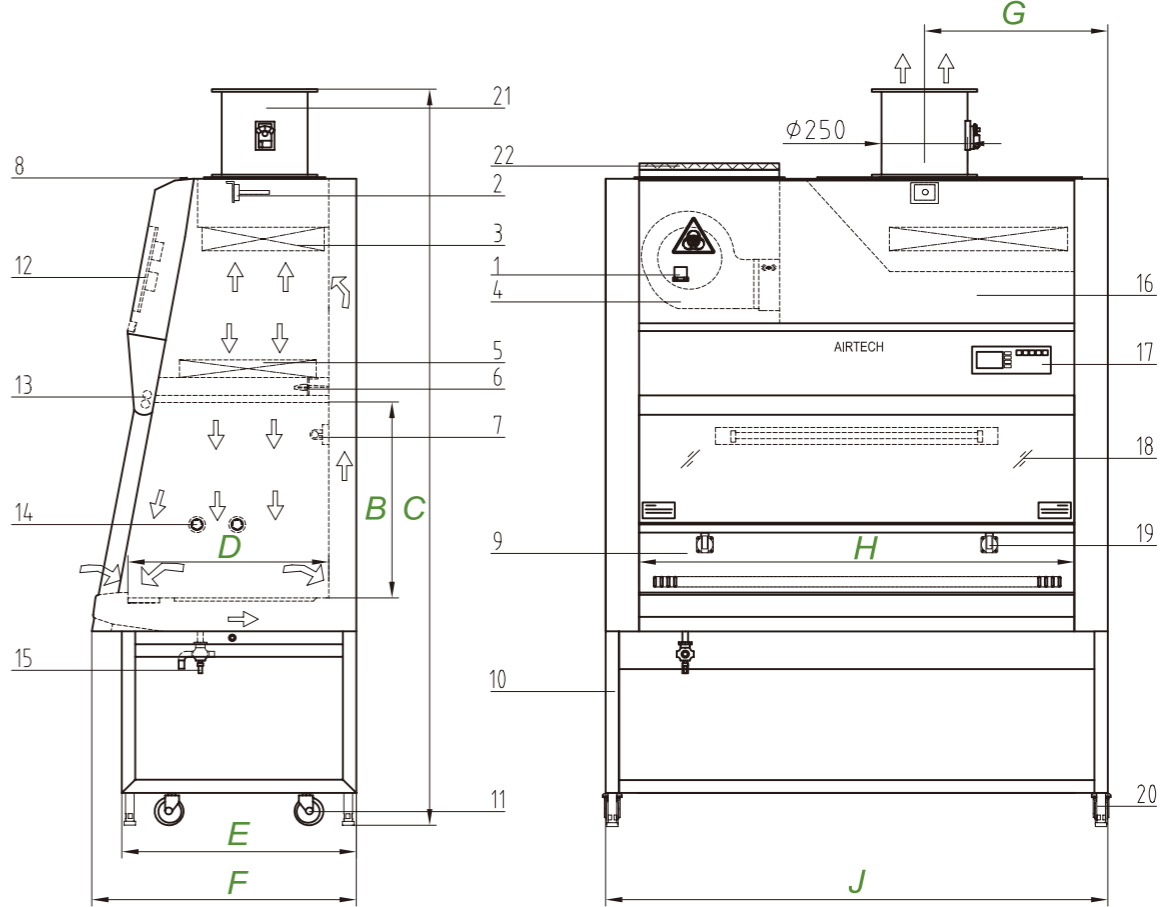
Class II Type A2 Biological Safety Cabinet Engineering Drawing



- 1. Eyebolt
- 2. Velocity sensor (Austria made, air exhaust)
- 3. HEPA/ULPA filter,air exhaust
- 4. DC motor fan
- 5. Main power switch
- 6. HEPA/ULPA filter,air supply
- 7. Velocity sensor (Japan made, air supply)
- 8. UV lamp
- 9. Dwyer differential pressure gauge(01/02/03 series)
- 10. Work area
- 11. Detachable stand
- 12. Universal casters
- 13. Main power board
- 14. LED lamp
- 15. Drain valve
- 16. Main body
- 17. Key switch
- 18. Control panel
- 19. Sliding door
- 20. Sockets
- 21. Adjustable feet
- 22. Power cord

Model	Dimensions in mm									
	A	B	C	D	E	F	G	H	I	J
BSC-1301IIA2	60	620	2050	600	700	790	250	1270	1380	1500
BSC-1302IIA2	60	620	2050	600	700	790	250	1270	1380	1500
BSC-1003IIA2	60	620	2050	600	700	790	250	970	1080	1200
BSC-1303IIA2	60	620	2050	600	700	790	250	1270	1380	1500
BSC-1603IIA2	60	620	2050	600	700	790	250	1570	1680	1800

Class II Type B2 Biological Safety Cabinet Engineering Drawing



- 1. Power Switch
- 2. Air Velocity Sensor
- 3. Air Exhaust Filter
- 4. Fan
- 5. Air Supply Filter
- 6. Air Velocity Sensor
- 7. UV Light
- 8. Fuse Holder
- 9. Working Chamber
- 10. Lower Stand
- 11. Universal Caster
- 12. Elec.Box
- 13. LED Light
- 14. Water/gas Pipe
- 15. Water Valve
- 16. Body
- 17. Control Panel
- 18. Sliding Sash
- 19. Spare Socket
- 20. Leveling Feet
- 21. Air Valve
- 22. Pre-filter

TECHNICAL SPECIFICATIONS

Model		BSC-1004IIA2	BSC-1304IIA2	BSC-1604IIA2	BSC-1804IIA2
Dimensions	Nominal Size	3 feet			
	Internal Dimensions (W x D x H)	1004*630*630 mm	1304*630*630 mm	1604*630*630 mm	1804*630*630 mm
	External Dimensions (W x D x H)	1200*795*2050 mm	1500*795*2050 mm	1800*795*2050 mm	2000*795*2050 mm
Airflow	Type	Class II, Type A2			
	Exhaust Direction	Top Exhaust			
	Airflow Pattern (downflow / exhaust)	70% / 30%			
	Average Inflow Velocity	0.55m/s			0.53m/s
	Average Downflow Velocity	0.35m/s			0.33m/s
Cabinet Construction	Blower	DC EBМ Blower			
	Work Zone	Stainless Steel SUS304			
	Main Body	Electro-galvanized steel with Akzo-Nobel white oven-baked powder coating			
	Sash Glass Thickness	5mm		5mm	
	Sash Glass Type	Tempered Glass, UV-proof			
	Sash Working Opening	200mm	200mm	200mm	200mm
	Sash Maximum Opening	460mm	460mm	460mm	460mm
	Full Access for Glass Cleaning	Yes			
	Illumination (Lx)	≥1100			
	Noise (dB)	≤60	≤60	≤60	≤60
Cleanliness	Cleanliness	ULPA: ISO Class 4			
	Filtration Efficiency	ULPA: ≥99.9995%, @0.12 μm			
	Total colony in impaction sampler (Operator Protection)	≤10CFU./Time			
	Total colony in slit type sampler (Operator Protection)	≤5CFU./Time			
	Total colony in culture dish (Product Protection)	≤5CFU./Time			
Controlling System	Total colony in culture dish (Cross Contamination)	≤2CFU./Time			
	Display	LED Color Screen			
	Downflow Velocity Display	Yes			
	Inflow Velocity Display	Yes			
	Filter Lifetime Display by %	Yes			
	Blower Switch	Yes			
	Brightness Lamp Switch	Yes			
	UV Lamp Switch	Yes			
	Socket Power Switch	Yes			
	UV Timer	Yes			
Electrical Data	Reated Power (W)	330	430	530	530
	Power Supply	AC220V, 1Φ, 50HZ			
Weight	Net Weight(kg)	260	300	360	400
	Gross Weight	292	340	398	450
Alarm	Alarm Type	Sound+Flash			
	Sash Height High/Low	Yes			
	Filter Blocked	Yes			
	Filter Shattered	Yes			
	Filter Lifetime Remind	Yes			
	Inflow Velocity High/Low	Yes			
Filter	Downflow	ULPA Filter			
	Exhaust	ULPA Filter			
Accessories	LED Brightness Lamp	24.5W*1 pc	31W*1 pc	36W*1 pc	36W*1 pc
	UV Lamp	25W*1 pc	30W*1 pc	40W*1 pc	40W*1 pc
	Receptacle (pieces/Power/Current)	2 pcs/500W/3A	2 pcs/500W/3A	2 pcs/500W/3A	2 pcs/500W/3A
	Water Valve	Optional * 1 pc			
	Gas Valve	Optional * 1 pc			
	Stand	Yes			
	Adjustable Feet	4, as standard			
Casters	4, as standard				

TECHNICAL SPECIFICATIONS

Model		BSC-1004IIB2	BSC-1304IIB2	BSC-1604IIB2	BSC-1804IIB2
Dimensions	Nominal Size	3 feet	4 feet	5 feet	6 feet
	Internal Dimensions (W x D x H)	1004*630*630 mm	1304*630*630 mm	1604*630*630 mm	1804*630*630 mm
	External Dimensions (W x D x H)	1200*795*2050 mm	1500*795*2050 mm	1800*795*2050 mm	2000*795*2050 mm
Airflow	Type	Class II, Type A2			
	Exhaust Direction	Top Exhaust			
	Airflow Pattern (downflow / exhaust)	100% Exhaust			
	Average Inflow Velocity	0.55m/s			
	Average Downflow Velocity	0.35m/s			
	Inflow volume	727m3/h	945m3/h	1160m3/h	1307m3/h
	Exhaust volume	1125m3/h	1460m3/h	1798m3/h	2020m3/h
Cabinet Construction	Static pressure	≥680Pa	≥580Pa	≥580Pa	≥580Pa
	Blower	DC ECM Blower			
	Work Zone	Stainless Steel SUS304			
	Main Body	Electro-galvanized steel with Akzo-Nobel white oven-baked powder coating			
	Sash Glass Thickness	5mm		6mm	
	Sash Glass Type	Tempered Glass, UV-proof			
	Sash Working Opening	200mm	200mm	200mm	200mm
	Sash Maximum Opening	460mm	460mm	460mm	460mm
	Full Access for Glass Cleaning	Yes			
	Illumination (Lx)	≥1100			
	vibration	≤5um (center of table top)			
Cleanliness	Noise (dB)	≤60	≤60	≤60	≤60
	Cleanliness	ULPA: ISO Class 4			
	Filtration Efficiency	ULPA:≥99.9995%,@0.12 μm			
	Total colony in impaction sampler(Operator Protection)	≤10CFU./Time			
	Total colony in slit type sampler(Operator Protection)	≤5CFU./Time			
Controlling System	Total colony in culture dish (Product Protection)	≤5CFU./Time			
	Total colony in culture dish (Cross Contamination)	≤2CFU./Time			
	Display	LED Color Screen			
	Downflow Velocity Display	Yes			
	Inflow Velocity Display	Yes			
	Filter Lifetime Display by %	Yes			
	Blower Switch	Yes			
	Brightness Lamp Switch	Yes			
	UV Lamp Switch	Yes			
Filter	Socket Power Switch	Yes			
	UV Timer	Yes			
Electrical Data	Main Power Switch	Yes			
	Downflow	ULPA Filter, ≥99.9995%@0.12um			
Power Supply	Exhaust	ULPA Filter, ≥99.9995%@0.12um			
	Rated Power (W)	330	380	430	430
Weight	AC220V,1Φ,50HZ	Yes			
	AC220V,1Φ,60HZ	Yes			
Alarm	Net Weight(kg)	270	310	370	410
	Gross Weight	302	350	408	460
	Alarm Type	Sound+Flash			
	Sash Height High/Low	Yes			
	Filter Blocked	Yes			
	Filter Shattured	Yes			
	Filter Lifetime Remind	Yes			
Accessories	Inflow Velocity High/Low	Yes			
	Downflow Velocity High/Low	Yes			
	LED Brightness Lamp	24.5W*1 pc	31W*1 pc	36W*1 pc	36W*1 pc
	UV Lamp	25W*1 pc	30W*1 pc	40W*1 pc	40W*1 pc
	Receptacle (pieces/Power/Current)	2 pcs/500W/3A	2 pcs/500W/3A	2 pcs/500W/3A	2 pcs/500W/3A
	Water Valve	Optional * 1 pc			
Casters	Gas Valve	Optional * 1 pc			
	Stand	Yes			
	Adjustable Feet	4, as standard			
	Casters	4, as standard			



EN 12469

World-class brushless DC motor with automatic air volume compensation system;
Two independent sets of velocity sensors

Over-load protection for safety

LED Lamp providing sufficient and uniform lighting;
UV light running time can be set
Interlocked light and UV sterilizing

Dwyer (US brand) pressure gage

Access for water & gas tap

Removable one-piece spill retaining work zone with front grille, made in SUS304, easy to reach & cleaning

Drain valve for easy cleaning

Adjustable supporter to make sure cabinet is set firmly and horizontal



HEPA Filter
Efficiency $\geq 99.995\%$ @0.3 μm
Creates ISO Class 5 Cleanliness

Key switch to prevent unauthorized access
Angled down controller for easy reach and viewing

Waterproof Socket x 2

Japan lifting system for convenient operation

Curved corners for easy cleaning

Arm rest for comfortable working posture

Detachable frame stand

Castors for convenient movement

International Standards

	Biosafety Cabinets	Air Quality	Filtration	Electrical Safety
Standards Compliance	EN 12469, Europe JIS K 3800, Japan SFDA YY0569, China	ISO 14644.1, Class 4, Worldwide JIS B9920, Class 4, Japan JIS BS5295, Class 4, Japan US Fed Std 209E, Class 10 USA	ISO29463, Worldwide EN-1822, Europe EN13091, Europe IEST-RP-CC034.1, USA	EN-61010-1, Europe IEC61010-1, Worldwide

DC ECM motor

Automatic air volume compensation system for stable airflow
Low power consumption & reduced noise level

Dwyer brand (US imported) pressure gage

indicates real-time negative pressure between two sides of downflow filter.



3-piece Table Top

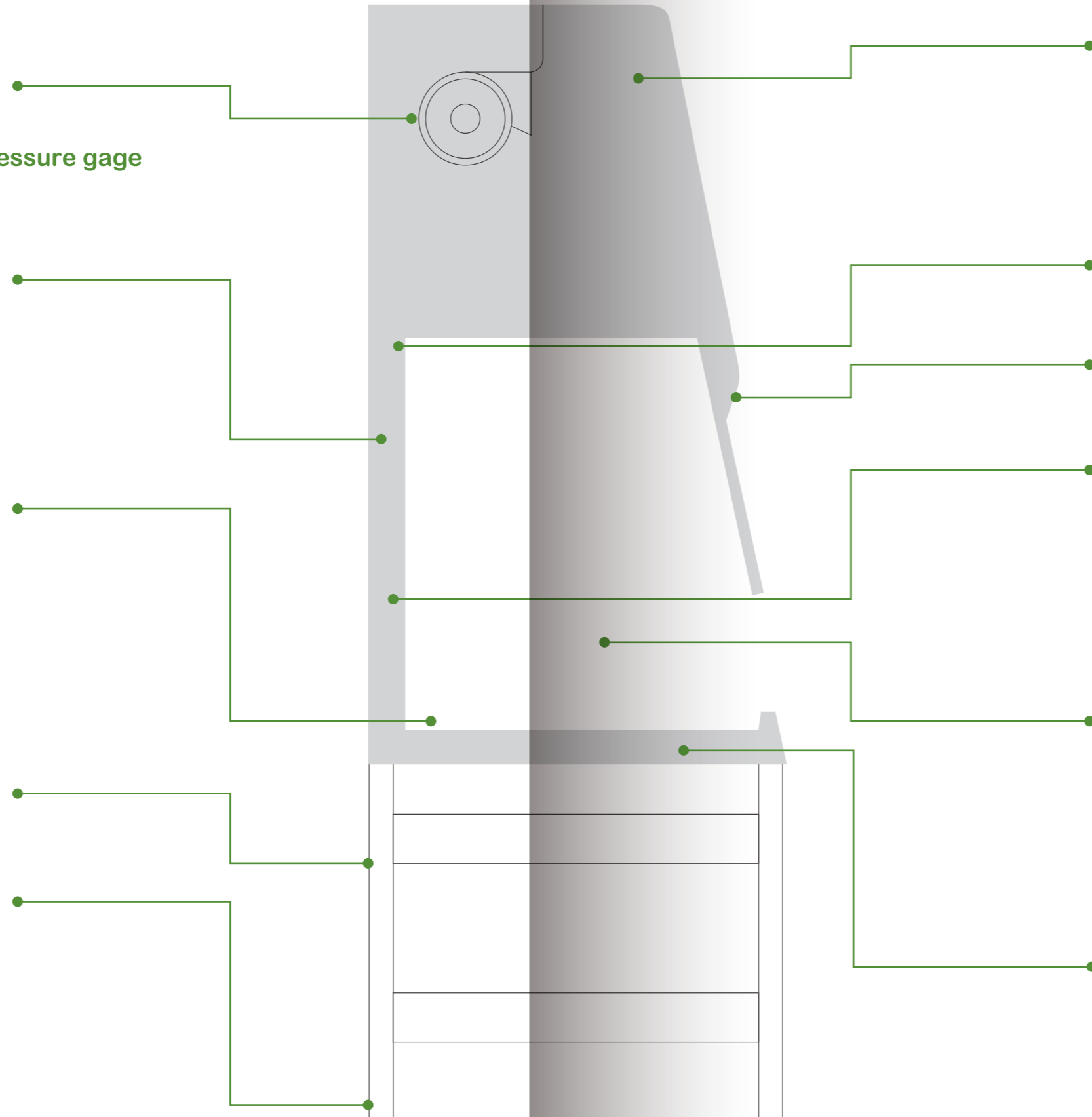
- Large radius for easy cleaning
- Made in SUS304, rust free



Detachable stand

convenient installation & saving shipping space

- Adjustable feet to fit uneven floor
- Casters for easy movement



Key switch

Prevents unauthorized access



UV lamp for sterilization

Viewscreen

gradient of 10 Degree make it comfortable to operate

Receptacles :

- Waterproof
- Overload protection



Various valves for choice



Stainless steel armrest(Optional)

- Helps prevent grille blocking
- Comfortable working posture



TECHNICAL SPECIFICATIONS

Model		BSC-1003IIA2 (-E/-S/-SE)	BSC-1303IIA2 (-E/-S/-SE)	BSC-1603IIA2 (-E/-S/-SE)
Dimensions	Nominal Size	3 feet	4 feet	6 feet
	Usable Working Area	0.582 m ²	0.762 m ²	0.942 m ²
	Stand Height (mm)	770mm	770mm	770mm
	Internal (W x D x H)	970*600*620 mm	1270*600*620 mm	1570*600*620 mm
	External (W x D x H)	1200*790*2050 mm	1500*790*2050 mm	1800*790*2050 mm
	Carton Packing (W x D x H)	1240*840*2250	1540*840*2250	1840*840*2250
	Plywood Packing (W x D x H)	1300*900*2250	1600*900*2250	1900*900*2250
Airflow	Type	Class II, Type A2	Class II, Type A2	Class II, Type A2
	Exhaust Direction	Top Exhaust	Top Exhaust	Top Exhaust
	Airflow Pattern (downflow / exhaust)	70% / 30%	70% / 30%	70% / 30%
	Average Inflow Velocity	0.55m/s	0.55m/s	0.55m/s
	Average Downflow Velocity	0.35m/s	0.35m/s	0.35m/s
	Inflow Airflow Volume	385 m ³ /h	505 m ³ /h	625 m ³ /h
	Downflow Airflow Volume	720 m ³ /h	940 m ³ /h	1160 m ³ /h
	Exhaust Airflow Volume	385 m ³ /h	505 m ³ /h	625 m ³ /h
	Velocity Meter Accuracy	0.001m/s	0.001m/s	0.001m/s
	Pressure Gage	Dwyer Brand, USA	Dwyer Brand, USA	Dwyer Brand, USA
Construction	Blower	ECM DC Motor		
	Work Zone	SUS304, Single-piece or 3-piece		
	Main Body	Electro-galvanized steel with white oven-baked powder-coated finish		
	Sash Glass Thickness	5mm	5mm	6mm
	Sash Glass Type	Tempered Glass, UV-proof		
	Sash Window Working Opening	200mm	200mm	200mm
	Sash Window Maximum Opening	460mm	460mm	460mm
	Illumination (Lx)	≥1100	≥1100	≥1100
	Noise (dB)	≤60	≤60	≤60
	Cleanliness	Cleanliness	HEPA: ISO Class 5	
Filtration Efficiency		HEPA:≥99.995%,@0.3 μm		
Total colony in impaction sampler(Operator Protection)		≤10CFU./Time	≤10CFU./Time	≤10CFU./Time
Total colony in slit type sampler(Operator Protection)		≤5CFU./Time	≤5CFU./Time	≤5CFU./Time
Total colony in culture dish (Product Protection)		≤5CFU./Time	≤5CFU./Time	≤5CFU./Time
Controller	Display	LCD Screen	LCD Screen	LCD Screen
	UV Timer	Yes	Yes	Yes
	Main Power Switch	Yes	Yes	Yes
	Key Switch	Yes	Yes	Yes
	Power Consumption (KW.h/h)	0.5	0.6	0.6
Electrical Data	Power (W)	500	650	650
	Electrical Current (A)	3	3.5	3.5
Power Supply	AC220V,1Φ,50HZ	Yes	Yes	Yes
	AC220V,1Φ,60HZ	Yes	Yes	Yes
Weight	Net Weight(kg)	260	300	350
	Gross Weight, Carton Packing (kg)	292	340	388
	Gross Weight, Plywood Packing (kg)	382	405	458
Alarm	Alarm Type	Sound+Flash	Sound+Flash	Sound+Flash
	Inflow Velocity	Yes	Yes	Yes
	Downflow Velocity	Yes	Yes	Yes
	Sash Height Limit	Yes	Yes	Yes
	Filter Blocked	Yes	Yes	Yes
	Filter Shattered	Yes	Yes	Yes
	Filter Lifetime Remind	Yes	Yes	Yes
Filter	Downflow	HEPA:≥99.995%,@0.3 μm		
	Exhaust	HEPA:≥99.995%,@0.3 μm		
	Material	HV Brand, USA		
Accessories	Side Wall	SUS304/Glass		
	Front Sash	Manual/Electric Automatic		
	LED Lamp	24.5W, ≥1100Lx	31W, ≥1100Lx	36W, ≥1100Lx
	UV Lamp	20W*1	30W*1	40W*1
	Receptacle (pieces/Power/Current)	2 pcs/500W/3A	2 pcs/500W/3A	2 pcs/500W/3A
	Detachable Stand	Yes	Yes	Yes
	Adjustable Foot	Yes	Yes	Yes
	Wheels	Yes	Yes	Yes
	Gas Valve	Optional	Optional	Optional
	Vacuum Valve	Optional	Optional	Optional
	Arm Rest	Optional	Optional	Optional
I.V. Pole	Optional	Optional	Optional	



World-class brushless DC motor with automatic air volume compensation system;
Two independent sets of velocity sensors

Over-load protection for safety

LED Lamp providing sufficient and uniform lighting;
UV light running time can be set
Interlocked light and UV sterilizing

Dwyer (US brand) pressure gage

Access for water & gas tap

Removable one-piece spill retaining work zone with front grille, made in SUS304, easy to reach & cleaning

Drain valve for easy cleaning

Adjustable supporter to make sure cabinet is set firmly and horizontal



HEPA filter (H14 per EN1822) offer 99.99% efficiency at 0.3micron,creates ISO Class 3 clean zone; while ULPA filter as optional to provide 99.999% at 0.1 to 0.3 micron.

Angled down controller for easy reach and viewing

Waterproof Socket x 2

Japan lifting system for convenient operation

Curved corners for easy cleaning

Arm rest for comfortable working posture

Detachable frame stand

Castors for convenient movement

International Standards

	Biosafety Cabinets	Air Quality	Filtration	Electrical Safety
Standards Compliance	EN 12469, Europe JIS K 3800, Japan SFDA YY0569, China	ISO 14644.1, Class 4, Worldwide JIS B9920, Class 4, Japan JIS BS5295, Class 4, Japan US Fed Std 209E, Class 10 USA	ISO29463, Worldwide EN-1822, Europe EN13091, Europe IEST-RP-CC034.1, USA	EN-61010-1, Europe IEC61010-1, Worldwide

TECHNICAL SPECIFICATIONS

Model		BSC-1301IIA2	BSC-1302IIA2
Dimensions	Nominal Size	4 feet	
	Usable Work Area	0.762 m ²	
	Stand Height	720 (mm) 28.4 (in)	
	Internal Dimensions (W x D x H)	1270*600*620 (mm)	50*23.6*24.4 (in)
	External Dimensions (W x D x H)	1500*790*2050 (mm)	59.1*31.1*80.7 (in)
	Plywood Packing Dimensions (W x D x H)	1600*1070*1590 (mm)	63*42.1*62.6 (in)
Airflow	Type	Class II, Type A2	
	Exhaust Direction	Top Exhaust	
	Airflow Pattern (recirculation / exhaust)	70% / 30%	
	Average Inflow Velocity	0.54m/s	
	Average Downflow Velocity	0.35m/s	
	Inflow Airflow Volume	617 m ³ /h	
	Downflow Airflow Volume	896 m ³ /h	
	Exhaust Airflow Volume	617 m ³ /h	
	Velocity Meter Accuracy	0.001m/s	
	Pressure Gage	Dwyer Brand	
Cabinet Construction	Work Zone	Stainless Steel SUS304	
	Main Body	Electro-galvanized steel with white oven-baked powder-coated finish	
	Sash Glass Thickness	5mm	
	Sash Glass Type	Tempered Glass, UV-proof	
	Sash Window Maximum Working Opening	250 (mm) 9.85 (in)	
	Sash Window Maximum Opening	540 (mm) 21.3 (in)	
	Illumination (Lx)	≥1000	
	Noise (dB)	≤64	
Cleanliness	Cleanliness	HEPA: ISO Class 5	
	Filtration Efficiency	HEPA: ≥99.995% @0.3 μm	
	Total colony in impaction sampler (Operator Protection)	≤10CFU./Time	
	Total colony in slit type sampler (Operator Protection)	≤5CFU./Time	
	Total colony in culture dish (Product Protection)	≤5CFU./Time	
	Total colony in culture dish (Cross Contamination)	≤2CFU./Time	
Controller	Display	LCD Screen	
	UV Timer	Yes	
	Overload protector	Yes	
Electrical Data	Power Consumption (KW.h/h)	0.8 (with spare socket)	0.4 (with spare socket)
	Power (W)	800 (with spare socket)	400 (with spare socket)
	Electrical Current (A)	7 (with spare socket)	3 (with spare socket)
Power Supply	AC115V, 1Φ, 50HZ	Yes	/
	AC220V, 1Φ, 60HZ	/	Yes
Weight	Net Weight(kg)	300	
	Gross Weight, Plywood Packing (kg)	405	
Alarm	Alarm Type	Sound+Flash	
	Sash window height limit	Yes	
	Filter Blocked	Yes	
	Filter Shattered	Yes	
	Filter Lifetime Remind	Yes	
	Inflow Velocity	Yes	
Filter	Downflow Velocity	Yes	
	Downflow	HEPA: ≥99.995% @0.3 μm; H14 per EN1822	
Accessories	Exhaust	HEPA: ≥99.995% @0.3 μm; H14 per EN1822	
	LED Lamp	Illuminance ≥1000Lx	
	UV Lamp	λ≥254nm, Irradiation intensity ≥400mW/ m ²	
	Receptacle (pieces/Power/Current)	2 pcs/115V/2A	2 pcs/220V/2A
	Gas Valve	Optional	
	Water Valve	Optional	
	Vaccum Valve	Optional	
	IV Bar	Optional	
	Stainless Steel Arm Rest	Optional	
	Detachable Stand	Yes	
Certificate	Adjustable Foot	Yes	
	Wheels	Yes	
		NSF49/UL	

Desk-top Laminar Flow Cabinet Vertical Type, VD Series



Features:

- Space-saving desk-top type with compact design
- SUS304 working area
- Adjustable fan unit & one-button velocity selection
- High efficiency & low power consumption



Model		VD-650	VD-650-U	VD-1320	VD-1320-U
Constructions	Airflow Type	Vertical Airflow	Vertical Airflow	Vertical Airflow	Vertical Airflow
	Side Wall Material	Float Glass	Float Glass	Float Glass	Float Glass
	Working Zone Material	SUS304	SUS304	SUS304	SUS304
	Operation side/Operator Number	Single-side/Single-operator	Single-side/Single-operator	Single-side/Single-operator	Single-side/Single-operator
Performance	Cleanliness Class	ISO Class 5, FED 209 E Class 100	ISO Class 5, FED 209 E Class 100	ISO Class 5, FED 209 E Class 100	ISO Class 5, FED 209 E Class 100
	Filter Efficiency	≥99.99%(@0.3μm)	≥99.99%(@0.3μm)	≥99.99%(@0.3μm)	≥99.99%(@0.3μm)
	Velocity (m/s)	≥0.3m/s(Adjustable)	≥0.3m/s(Adjustable)	≥0.3m/s(Adjustable)	≥0.3m/s(Adjustable)
	Illumination (Lx)	≥300	≥300	≥300	≥300
Controller	Display	LED	LED	LED	LED
	Power Switch	Yes	Yes	Yes	Yes
Electrical Date	Voltage/Frequency (V/Hz)	AC220V, 50HZ, 1Φ	AC220V, 50HZ, 1Φ	AC220V, 50HZ, 1Φ	AC220V, 50HZ, 1Φ
	Power Consumption KW.h/h	0.3	0.3	0.6	0.6
	Power (W)	250	250	500	500
	Current (A)	3	3	6	6
Weight	Net Weight (kg)	60	60	90	90
Dimensions	Working Dimension(W*D*H)(mm)	615*495*500	615*495*500	1240*480*550	1240*480*550
	External Dimension(W*D*H)(mm)	650*535*835	650*535*835	1320*585*950	1320*585*950
Accessories	Lamp	LED, 7W*1	LED, 7W*1	LED, 7W*2	LED, 7W*2
	UV Lamp	N/A	As standard, 8W*1	N/A	As standard, 8W*2
	Socket	N/A	N/A	N/A	N/A

Desk-top Laminar Flow Cabinet Horizontal Type, HD Series



Features:

- Space-saving desk-top type with compact design
- Open type large air exhaust area for airflow uniformity
- SUS304 working area
- Adjustable fan unit & one-button velocity selection
- High efficiency & low power consumption



Model		HD-650	HD-650-U	HD-1220	HD-1220-U
Constructions	Airflow Type	Horizontal Airflow	Horizontal Airflow	Horizontal Airflow	Horizontal Airflow
	Side Wall Material	Float Glass	Float Glass	Float Glass	Float Glass
	Working Zone Material	SUS304	SUS304	SUS304	SUS304
	Operation side/Operator Number	Single-side/Single-operator	Single-side/Single-operator	Single-side/Single-operator	Single-side/Single-operator
Performance	Cleanliness Class	ISO Class 5, FED 209 E Class 100	ISO Class 5, FED 209 E Class 100	ISO Class 5, FED 209 E Class 100	ISO Class 5, FED 209 E Class 100
	Filter Efficiency	≥99.99%(@0.3μm)	≥99.99%(@0.3μm)	≥99.99%(@0.3μm)	≥99.99%(@0.3μm)
	Velocity (m/s)	≥0.3m/s(Adjustable)	≥0.3m/s(Adjustable)	≥0.3m/s(Adjustable)	≥0.3m/s(Adjustable)
	Illumination (Lx)	≥300	≥300	≥300	≥300
Controller	Display	LED	LED	LED	LED
	Power Switch	Yes	Yes	Yes	Yes
Electrical Date	Voltage/Frequency (V/Hz)	AC220V, 50HZ, 1Φ	AC220V, 50HZ, 1Φ	AC220V, 50HZ, 1Φ	AC220V, 50HZ, 1Φ
	Power Consumption KW.h/h	0.3	0.3	0.6	0.6
	Power (W)	250	250	500	500
	Current (A)	3	3	6	6
Weight	Net Weight (kg)	55	55	85	85
Dimensions	Working Dimension(W*D*H)(mm)	615*400*535	615*400*535	1120*490*575	1120*490*575
	External Dimension(W*D*H)(mm)	650*680*625	650*680*625	1220*650*920	1220*650*920
Accessories	Lamp	LED, 7W*1	LED, 7W*1	LED, 7W*2	LED, 7W*2
	UV Lamp	N/A	As standard, 1 pc, 8W	N/A	As standard, 8W*2
	Socket	N/A	N/A	N/A	N/A

Standard Laminar Flow Cabinet Vertical Type, SW-CJ Series



Features:

- Main HEPA filter efficiency $\geq 99.99\%$ (@0.3 μm)
- Per-filter to prolong lifetime of main filter
- Tempered glass window with Japan lifting system
- SUS304 working area for easy cleaning
- Adjustable fan unit & one-button velocity selection
- Inter-locking system for illuminating light & UV lamp
- Universal wheel & foot



Model	SW-CJ-1F	SW-CJ-1FD	SW-CJ-2F	SW-CJ-2FD	
Constructions	Airflow Type	Vertical Airflow	Vertical Airflow	Vertical Airflow	Vertical Airflow
	Side Wall Material	Coated Steel+Float Glass	Coated Steel+Float Glass	Coated Steel	Coated Steel
	Working Zone Material	SUS304	SUS304	SUS304	SUS304
	Max. Working Height (mm)	200	200	200	200
	Max. Opening Height (mm)	460	460	460	460
	Working Zone Height (mm)	780	780	780	780
	Operation side/Operator Number	Double-side/Single-operator	Single-side/Single-operator	Double-side/Double-operator	Single-side/Double-operator
Performance	Cleanliness Class	ISO Class 5, FED 209 E Class 100	ISO Class 5, FED 209 E Class 100	ISO Class 5, FED 209 E Class 100	ISO Class 5, FED 209 E Class 100
	Filter Efficiency	$\geq 99.99\%$ (@0.3 μm)	$\geq 99.99\%$ (@0.3 μm)	$\geq 99.99\%$ (@0.3 μm)	$\geq 99.99\%$ (@0.3 μm)
	Velocity (m/s)	$\geq 0.3\text{m/s}$ (Adjustable)	$\geq 0.3\text{m/s}$ (Adjustable)	$\geq 0.3\text{m/s}$ (Adjustable)	$\geq 0.3\text{m/s}$ (Adjustable)
	Illumination (lx)	≥ 300	≥ 300	≥ 300	≥ 300
Controller	Display	LED	LED	LED	LED
	Power Switch	Yes	Yes	Yes	Yes
Electrical Data	Voltage/Frequency (V/Hz)	AC220V, 50HZ, 1 Φ	AC220V, 50HZ, 1 Φ	AC220V, 50HZ, 1 Φ	AC220V, 50HZ, 1 Φ
	Power Consumption KW.h/h	0.3	0.3	0.6	0.6
	Power (W)	250	250	500	500
	Current (A)	5	5	6	6
Weight	Net Weight (kg)	130	130	170	170
Dimensions	Working Dimension(W*D*H)(mm)	870*690*520	870*690*520	1360*690*520	1360*690*520
	External Dimension(W*D*H)(mm)	1010*750*1600	1010*730*1600	1500*750*1600	1500*730*1600
Accessories	Caster	4,2 lockable	4,2 lockable	4,2 lockable	4,2 lockable
	Foot Supporter	N/A	N/A	N/A	N/A
	Lamp	LED, 7W*1	LED, 7W*1	LED, 7W*2	LED, 7W*2
	UV Lamp	N/A	As standard, 8W*1	N/A	As standard, 8W*2
	Socket	1/500W/3A	1/500W/3A	1/500W/3A	1/500W/3A
Certificate	CE	Yes	Yes	Yes	Yes

Standard Laminar Flow Cabinet Horizontal Type, SW-CJ Series



Features:

- Main HEPA filter efficiency $\geq 99.99\%$ (@0.3 μm)
- Per-filter to prolong lifetime of main filter
- SUS304 working area for easy cleaning
- Adjustable fan unit & one-button velocity selection
- Inter-locking system for illuminating light & UV lamp
- Universal wheel & foot



Model	SW-CJ-1B	SW-CJ-1BU	SW-CJ-1C	SW-CJ-1CU	
Constructions	Airflow Type	Horizontal Airflow	Horizontal Airflow	Horizontal Airflow	Horizontal Airflow
	Side Wall Material	Float Glass	Float Glass	Float Glass	Float Glass
	Working Zone Material	SUS304	SUS304	SUS304	SUS304
	Max. Working Height (mm)	N/A	N/A	N/A	N/A
	Max. Opening Height (mm)	N/A	N/A	N/A	N/A
	Working Zone Height (mm)	750	750	750	750
	Operation side/Operator Number	Single-side/Single-operator	Single-side/Single-operator	Single-side/Double-operator	Single-side/Double-operator
Performance	Cleanliness Class	ISO Class 5, FED 209 E Class 100	ISO Class 5, FED 209 E Class 100	ISO Class 5, FED 209 E Class 100	ISO Class 5, FED 209 E Class 100
	Filter Efficiency	$\geq 99.99\%$ (@0.3 μm)	$\geq 99.99\%$ (@0.3 μm)	$\geq 99.99\%$ (@0.3 μm)	$\geq 99.99\%$ (@0.3 μm)
	Velocity (m/s)	$\geq 0.3\text{m/s}$ (Adjustable)	$\geq 0.3\text{m/s}$ (Adjustable)	$\geq 0.3\text{m/s}$ (Adjustable)	$\geq 0.3\text{m/s}$ (Adjustable)
	Illumination (lx)	≥ 300	≥ 300	≥ 300	≥ 300
Controller	Display	LED	LED	LED	LED
	Power Switch	Yes	Yes	Yes	Yes
Electrical Data	Voltage/Frequency (V/Hz)	AC220V, 50HZ, 1 Φ	AC220V, 50HZ, 1 Φ	AC220V, 50HZ, 1 Φ	AC220V, 50HZ, 1 Φ
	Power Consumption KW.h/h	0.3	0.3	0.6	0.6
	Power (W)	250	250	500	500
	Current (A)	5	5	6	6
Weight	Net Weight (kg)	100	100	160	160
Dimensions	Working Dimension(W*D*H)(mm)	820*480*600	820*480*600	1680*480*600	1680*480*600
	External Dimension(W*D*H)(mm)	900*700*1450	900*700*1450	1760*700*1450	1760*700*1450
Accessories	Caster	4,2 lockable	4,2 lockable	4,2 lockable	4,2 lockable
	Foot Supporter	N/A	N/A	N/A	N/A
	Lamp	Fluorescent Lamp, 18W*1	Fluorescent Lamp, 18W*1	Fluorescent Lamp, 36W*1	Fluorescent Lamp, 36W*1
	UV Lamp	N/A	As standard, 1 pc, 20W	N/A	As standard, 1 pc, 40W
	Socket	1/500W/3A	1/500W/3A	1/500W/3A	1/500W/3A
Certificate	CE	Yes	Yes	Yes	Yes

Neoteric Laminar Flow Cabinet Vertical Type, VS Series



Features:

- Per-filter to prolong lifetime of main HEPA filter
- Tempered glass window with Japan lifting system
- SUS304 working area with curving front
- Adjustable fan unit & one-button velocity selection
- Inter-locking system for illuminating light & UV lamp
- Universal wheel & foot



Model	VS-840K	VS-840K-U	VS-1300L	VS-1300L-U	
Constructions	Airflow Type	Vertical Airflow	Vertical Airflow	Vertical Airflow	Vertical Airflow
	Side Wall Material	Tempered Glass	Tempered Glass	Tempered Glass	Tempered Glass
	Working Zone Material	SUS304	SUS304	SUS304	SUS304
	Max. Working Height (mm)	200	200	200	200
	Max. Opening Height (mm)	480	480	630	630
	Working Zone Height (mm)	770	770	770	770
	Operation side/Operator Number	Single-side/Single-operator	Single-side/Single-operator	Single-side/Double-operator	Single-side/Double-operator
Performance	Cleanliness Class	ISO Class 5, FED 209 E Class 100	ISO Class 5, FED 209 E Class 100	ISO Class 5, FED 209 E Class 100	ISO Class 5, FED 209 E Class 100
	Filter Efficiency	≥99.99%(@0.3μm)	≥99.99%(@0.3μm)	≥99.99%(@0.3μm)	≥99.99%(@0.3μm)
	Velocity (m/s)	≥0.3m/s(Adjustable)	≥0.3m/s(Adjustable)	≥0.3m/s(Adjustable)	≥0.3m/s(Adjustable)
	Illumination (lx)	≥300	≥300	≥300	≥300
Controller	Display	LED	LED	LED	LED
	Power Switch	Yes	Yes	Yes	Yes
Electrical Data	Voltage/Frequency (V/Hz)	AC220V, 50HZ, 1Φ	AC220V, 50HZ, 1Φ	AC220V, 50HZ, 1Φ	AC220V, 50HZ, 1Φ
	Power Consumption KW.h/h	0.3	0.3	0.6	0.6
	Power (W)	250	250	500	500
	Current (A)	5	5	6	6
Weight	Net Weight (kg)	145	145	200	200
Dimensions	Working Dimension(W*D*H)(mm)	680*650*570	680*650*570	1140*650*720	1140*650*720
	External Dimension(W*D*H)(mm)	840*825*1625	840*825*1625	1300*825*1175	1300*825*1175
Accessories	Caster	4, not lockable	4, not lockable	4, not lockable	4, not lockable
	Foot Supporter	Yes	Yes	Yes	Yes
	Lamp	Fluorescent Lamp, 18W*1	Fluorescent Lamp, 18W*1	Fluorescent Lamp, 30W*1	Fluorescent Lamp, 30W*1
	UV Lamp	N/A	As standard, 20W*1	N/A	As standard, 30W*1
	Socket	1/500W/3A	1/500W/3A	1/500W/3A	1/500W/3A
Certificate	CE	Yes	Yes	Yes	Yes

Neoteric Laminar Flow Cabinet Horizontal Type, HS Series



Features:

- Main HEPA filter efficiency ≥99.99%(@0.3μm)
- Per-filter to prolong lifetime of main filter
- SUS304 working area for easy cleaning
- Adjustable fan unit & one-button velocity selection
- Inter-locking system for illuminating light & UV lamp
- Universal wheel & foot



Model	HS-840	HS-840-U	HS-1300	HS-1300-U	
Constructions	Airflow Type	Horizontal Airflow	Horizontal Airflow	Horizontal Airflow	Horizontal Airflow
	Side Wall Material	Tempered Glass	Tempered Glass	Tempered Glass	Tempered Glass
	Working Zone Material	SUS304	SUS304	SUS304	SUS304
	Max. Working Height (mm)	N/A	N/A	N/A	N/A
	Max. Opening Height (mm)	N/A	N/A	N/A	N/A
	Working Zone Height (mm)	770	770	770	770
	Operation side/Operator Number	Single-side/Single-operator	Single-side/Single-operator	Single-side/Double-operator	Single-side/Double-operator
Performance	Cleanliness Class	ISO Class 5, FED 209 E Class 100	ISO Class 5, FED 209 E Class 100	ISO Class 5, FED 209 E Class 100	ISO Class 5, FED 209 E Class 100
	Filter Efficiency	≥99.99%(@0.3μm)	≥99.99%(@0.3μm)	≥99.99%(@0.3μm)	≥99.99%(@0.3μm)
	Velocity (m/s)	≥0.3m/s(Adjustable)	≥0.3m/s(Adjustable)	≥0.3m/s(Adjustable)	≥0.3m/s(Adjustable)
	Illumination (lx)	≥300	≥300	≥300	≥300
Controller	Display	LED	LED	LED	LED
	Power Switch	Yes	Yes	Yes	Yes
Electrical Data	Voltage/Frequency (V/Hz)	AC220V, 50HZ, 1Φ	AC220V, 50HZ, 1Φ	AC220V, 50HZ, 1Φ	AC220V, 50HZ, 1Φ
	Power Consumption KW.h/h	0.3	0.3	0.6	0.6
	Power (W)	250	250	500	500
	Current (A)	5	5	6	6
Weight	Net Weight (kg)	125	125	170	170
Dimensions	Working Dimension(W*D*H)(mm)	720*650*570	720*650*570	1180*650*570	1180*650*570
	External Dimension(W*D*H)(mm)	840*825*1430	840*825*1430	1300*825*1430	1300*825*1430
Accessories	Caster	4, not lockable	4, not lockable	4, not lockable	4, not lockable
	Foot Supporter	4	4	4	4
	Lamp	Fluorescent Lamp, 18W*2	Fluorescent Lamp, 18W*1	Fluorescent Lamp, 30W*2	Fluorescent Lamp, 30W*1
	UV Lamp	N/A	As standard, 1 pc, 20W	N/A	As standard, 1 pc, 30W
	Socket	1/500W/3A	1/500W/3A	1/500W/3A	1/500W/3A
Certificate	CE	Yes	Yes	Yes	Yes

Detached Laminar Flow Cabinet Vertical Type, VT Series



Features:

- Detachable working table for easily moving samples
- HEPA filter efficiency $\geq 99.99\%$ (@0.3 μm)
- Per-filter to prolong lifetime of main filter
- Tempered glass window with Japan lifting system
- SUS304 working area for easy cleaning
- Adjustable fan unit & one-button velocity selection
- Inter-locking system for illuminating light & UV lamp



Model	VT-840K	VT-840K-U	VT-1300L	VT-1300L-U	
Constructions	Airflow Type	Vertical Airflow	Vertical Airflow	Vertical Airflow	Vertical Airflow
	Side Wall Material	Tempered Glass	Tempered Glass	Tempered Glass	Tempered Glass
	Working Zone Material	SUS304	SUS304	SUS304	SUS304
	Max. Working Height (mm)	200	200	200	200
	Max. Opening Height (mm)	480	480	630	630
	Working Zone Height (mm)	770	770	770	770
	Operation side/Operator Number	Single-side/Single-operator	Single-side/Single-operator	Single-side/Double-operator	Single-side/Double-operator
Performance	Cleanliness Class	ISO Class 5, FED 209 E Class 100	ISO Class 5, FED 209 E Class 100	ISO Class 5, FED 209 E Class 100	ISO Class 5, FED 209 E Class 100
	Filter Efficiency	$\geq 99.99\%$ (@0.3 μm)	$\geq 99.99\%$ (@0.3 μm)	$\geq 99.99\%$ (@0.3 μm)	$\geq 99.99\%$ (@0.3 μm)
	Velocity (m/s)	$\geq 0.3\text{m/s}$ (Adjustable)	$\geq 0.3\text{m/s}$ (Adjustable)	$\geq 0.3\text{m/s}$ (Adjustable)	$\geq 0.3\text{m/s}$ (Adjustable)
	Illumination (Lx)	≥ 300	≥ 300	≥ 300	≥ 300
Controller	Display	LED	LED	LED	LED
	Power Switch	Yes	Yes	Yes	Yes
Electrical Date	Voltage/Frequency (V/Hz)	AC220V, 50HZ, 1 Φ	AC220V, 50HZ, 1 Φ	AC220V, 50HZ, 1 Φ	AC220V, 50HZ, 1 Φ
	Power Consumption KW/h/h	0.3	0.3	0.6	0.6
	Power (W)	250	250	500	500
	Current (A)	5	5	6	6
Weight	Net Weight (kg)	165	165	240	240
Dimensions	Working Dimension(W*D*H)(mm)	680*650*570	680*650*570	1140*650*720	1140*650*720
	External Dimension(W*D*H)(mm)	840*825*1625	840*825*1625	1300*825*1775	1300*825*1775
Accessories	Caster	4, not lockable	4, not lockable	4, not lockable	4, not lockable
	Foot Supporter	Yes	Yes	Yes	Yes
	Lamp	Fluorescent Lamp, 18W*1	Fluorescent Lamp, 18W*1	Fluorescent Lamp, 30W*1	Fluorescent Lamp, 30W*1
	UV Lamp	N/A	As standard, 20W*1	N/A	As standard, 30W*1
	Socket	1/500W/3A	1/500W/3A	1/500W/3A	1/500W/3A

Detached Laminar Flow Cabinet Horizontal Type, HD Series



Features:

- Detachable working table for easily moving samples
- HEPA filter efficiency $\geq 99.99\%$ (@0.3 μm)
- Per-filter to prolong lifetime of main filter
- SUS304 working area for easy cleaning
- Adjustable fan unit & one-button velocity selection
- Inter-locking system for illuminating light & UV lamp



Model	HT-840	HT-840-U	HT-1300	HT-1300-U	
Constructions	Airflow Type	Horizontal Airflow	Horizontal Airflow	Horizontal Airflow	Horizontal Airflow
	Side Wall Material	Tempered Glass	Tempered Glass	Tempered Glass	Tempered Glass
	Working Zone Material	SUS304	SUS304	SUS304	SUS304
	Max. Working Height (mm)	N/A	N/A	N/A	N/A
	Max. Opening Height (mm)	N/A	N/A	N/A	N/A
	Working Zone Height (mm)	770	770	770	770
	Operation side/Operator Number	Single-side/Single-operator	Single-side/Single-operator	Single-side/Double-operator	Single-side/Double-operator
Performance	Cleanliness Class	ISO Class 5, FED 209 E Class 100	ISO Class 5, FED 209 E Class 100	ISO Class 5, FED 209 E Class 100	ISO Class 5, FED 209 E Class 100
	Filter Efficiency	$\geq 99.99\%$ (@0.3 μm)	$\geq 99.99\%$ (@0.3 μm)	$\geq 99.99\%$ (@0.3 μm)	$\geq 99.99\%$ (@0.3 μm)
	Velocity (m/s)	$\geq 0.3\text{m/s}$ (Adjustable)	$\geq 0.3\text{m/s}$ (Adjustable)	$\geq 0.3\text{m/s}$ (Adjustable)	$\geq 0.3\text{m/s}$ (Adjustable)
	Illumination (Lx)	≥ 300	≥ 300	≥ 300	≥ 300
Controller	Display	LED	LED	LED	LED
	Power Switch	Yes	Yes	Yes	Yes
Electrical Date	Voltage/Frequency (V/Hz)	AC220V, 50HZ, 1 Φ	AC220V, 50HZ, 1 Φ	AC220V, 50HZ, 1 Φ	AC220V, 50HZ, 1 Φ
	Power Consumption KW/h/h	0.3	0.3	0.6	0.6
	Power (W)	250	250	500	500
	Current (A)	5	5	6	6
Weight	Net Weight (kg)	150	150	190	190
Dimensions	Working Dimension(W*D*H)(mm)	680*650*570	680*650*570	1140*650*570	1140*650*570
	External Dimension(W*D*H)(mm)	840*825*1430	840*825*1430	1300*825*1430	1300*825*1430
Accessories	Caster	4, not lockable	4, not lockable	4, not lockable	4, not lockable
	Foot Supporter	4	4	4	4
	Lamp	Fluorescent Lamp, 18W*2	Fluorescent Lamp, 18W*1	Fluorescent Lamp, 30W*2	Fluorescent Lamp, 30W*1
	UV Lamp	N/A	As standard, 1 pc, 20W	N/A	As standard, 1 pc, 30W
	Socket	1/500W/3A	1/500W/3A	1/500W/3A	1/500W/3A